

**195 Plus - 220 Plus - 250 Plus -  
275 Plus - 300 Plus**



**174196-174221-174251-174276-174301**

Bartscher GmbH  
Franz-Kleine-Str. 28  
D-33154 Salzkotten  
Germany

Phone: +49 5258 971-0

Fax: +49 5258 971-120

**Technical Support Hotline:** +49 5258 971-197

[www.bartscher.com](http://www.bartscher.com)



Version: 4.0

Date of preparation: 2023-10-25

---

## Original instruction manual

1	Safety .....	2
1.1	Explanation of Signal Words .....	2
1.2	Safety instructions.....	3
1.3	Intended Use .....	5
1.4	Unintended Use .....	5
2	General information .....	6
2.1	Liability and Warranty .....	6
2.2	Copyright Protection .....	6
2.3	Declaration of Conformity .....	6
3	Transport, Packaging and Storage .....	7
3.1	Delivery Check.....	7
3.2	Packaging .....	7
3.3	Storage .....	7
4	Technical Data.....	8
4.1	Technical Specifications .....	8
4.2	List of Components of the Appliance .....	11
4.3	Functions of the Appliance.....	13
4.4	Protective Elements of the Appliance .....	14
5	Installation and operation .....	16
5.1	Installation.....	16
5.2	Operation .....	17
6	Cleaning and Maintenance .....	22
6.1	Safety Instructions for Cleaning .....	22
6.2	Cleaning.....	23
6.3	Maintenance .....	26
7	Possible Malfunctions .....	27
8	Disposal.....	28



**Read this instruction manual before using and keep it available at all times!**

This instruction manual contains information about installation, operation and maintenance of the appliance and constitutes an important source of information and reference guide. The knowledge of all operational and safety instructions included in this manual is a prerequisite for safe and proper handling of the appliance. Additionally, accident prevention, occupational health and safety, and legal regulations in force in the area the appliance is used apply.

Before you start using the appliance, especially before turning it on, read this instruction manual in order to avoid personal injuries and property damages. Improper use may cause damage.

This instruction manual forms and integral part of the product and must be stored in an immediate vicinity of the appliance and be available at all times. The instruction manual should be transferred together with the appliance.

## 1 Safety

This appliance has been manufactured in accordance with technical standards currently in force. However, the appliance may be a source of hazards if used improperly or contrary to its intended purpose. All persons using the appliance must consider information included in this instruction manual and observe safety instructions.

### 1.1 Explanation of Signal Words

Important safety instructions and warning information are indicated in this instruction manual with appropriate signal words. You must strictly follow the instructions, to prevent accidents, personal injuries and property damages.



**DANGER!**

The signal word **DANGER** warns against hazards that lead to severe injuries or death if the hazards are not avoided.



**WARNING!**

The signal word **WARNING** warns against hazards that may lead to moderate or severe injuries or death if the hazards are not avoided.



### **CAUTION!**

The signal word **CAUTION** warns against hazards that may lead to light or moderate injuries if the hazards are not avoided.

### **IMPORTANT!**

The signal word **IMPORTANT** indicates possible property damages, which may occur if safety instructions are not observed.

### **NOTE!**

The symbol **NOTE** indicates subsequent information and guidelines for the user on usage of the appliance.

## 1.2 Safety instructions

### Electrical Current

- Too high a mains voltage or incorrect installation may cause electric shock.
- The appliance may be connected only if data on the rating plate correspond with the mains voltage.
- To avoid short-circuit, the appliance should be kept dry.
- If there are malfunctions during operation, disconnect the appliance from the power supply.
- Do not touch the appliance's plug with wet hands.
- Never take hold of the appliance if it has fallen into water. Immediately disconnect the appliance from the power supply.
- Any repairs or housing opening may be carried out by professionals and relevant workshops only.
- Do not transport the appliance, holding it by the power cord.
- Do not allow the power cord to come into contact with heat sources or sharp edges.
- Do not bend, pinch nor knot the power cord.
- Always completely unwind the power cord.
- Never place the appliance or other objects on the power cord.
- Always take hold of the plug to disconnect the appliance from the power supply.

- Check the power cord regularly for damage. Do not use the appliance if the power cord is damaged. If this cable is damaged, it must be replaced by customer service or a qualified electrician in order to avoid dangers.

### **Safety During Operation of the Slicer**

- Never put hands between the pusher handle and the blade or the movable slice thickness partition until they are completely secured (slice thickness adjustment knob set to "0" position).
- During slicing operation keep hands away from the blade in order to avoid cuts and accidents. In order to avoid accidents, always use the pusher handle to push the product to be sliced to the movable slice thickness partition.
- The blade is very sharp; caution is advised when checking the blade sharpness. During operation wear cut protection gloves class 5 of DIN EN 388 standard!
- During operation, the operator should wear safety clothing that meets local sanitary standards.

### **Supervised Usage only**

- Only supervised appliance may be used.
- Always remain in an immediate vicinity of the appliance.

### **Operating Personnel**

- The appliance may only be operated by qualified personnel and trained specialist personnel.
- This appliance may not be operated by persons (including children) with limited physical, sensory or mental capabilities, nor by persons with limited experience and/or limited knowledge.
- Children should be supervised to ensure that they are not playing with or switching on the appliance.

### Improper Use

- Unintended or prohibited use may cause damage to the appliance.
- The appliance may only be used when its technical condition is flawless and allows for safe operation.
- The appliance may only be used when all connections are executed according to rules of law in force.
- The appliance may only be used when it is clean.
- Use only original spare parts. Never attempt to repair the appliance on your own.
- Do not introduce any changes in the appliance nor modify it.

### 1.3 Intended Use

As described below, every use of the appliance for a purpose differing and/or diverging from its intended standard use, is prohibited and considered to be an unintended use.

The following is an intended use:

- Slicing sausages

EN

### 1.4 Unintended Use

An unintended use may lead to personal injuries or property damages caused by hazardous voltage, fire or high temperature. The appliance may only be used to perform tasks described in this instruction manual.

The following is an unintended use:

- Cutting of products that are not food products.
- Cutting products with bones.
- Cutting frozen products.

## 2 General information

### 2.1 Liability and Warranty

All information and instructions in this instruction manual account for legal regulations in force, current level of technical engineering knowledge as well as our expertise and experience, developed over the years. If special models or additional options are ordered, or state-of-the-art technical solutions were implemented, the actual scope of delivery of the appliance may, in some circumstances, differ from descriptions and numerous drawings in this instruction manual.

The manufacturer is not liable for any damages nor faults stemming from:

- failure to observe instructions,
- unintended use,
- technical alterations introduced by the user,
- usage of unapproved spare parts.

We reserve the right to introduce technical modifications to the product, intended for improvement of the appliance and its performance.

### 2.2 Copyright Protection

This instruction manual, and texts, drawings and images included in it, as well as its other components are copyright protected. It is prohibited to reproduce this instruction manual (including its excerpts), in any form and by any means, and to use and/or transfer its content to third parties without manufacturer's written permission. Violation of the above results in obligation to pay compensation. We reserve the right to claim further damages.

### 2.3 Declaration of Conformity

The appliance meets the currently applicable standards and guidelines of the European Union. We confirm the above in the EC Declaration of Conformity. We may provide relevant Declaration of Conformity upon request.



## 3 Transport, Packaging and Storage

### 3.1 Delivery Check

Immediately upon reception, check the delivery for completeness and possible shipping damage. In the case of visible transport damage refuse to accept the appliance or accept it conditionally. Mark and note the scope of damage in shipping documents/consignment list of the shipping company and lodge a complaint.

Concealed damage must be reported immediately upon its discovery, as compensation claims may only be filed within applicable time limits.

If you find that parts or accessories missing, please contact our Customer Service Department.

### 3.2 Packaging

Do not dispose of the appliance cardboard box. It may be used to store the appliance when relocating or when shipping the appliance to our service point in the case of any damages.

The packaging and its elements are made of recyclable materials. Particularly, these are: plastic films and bags, cardboard box.

When disposing of the packaging, observe applicable domestic regulations. Recyclable packaging materials should be recycled.

EN

### 3.3 Storage

Leave the packaging closed until installation of the appliance; observe external indications concerning method of placing and storage. Store the packaging in the following conditions only:

- in closed rooms;
- in dry and dust-free surrounding;
- away from aggressive agents;
- in a location protected against sunlight;
- in a location protected against mechanical shocks.

In the case of extended storage (over three months), make sure you check the condition of the packaging and the parts regularly. If needed, replace the packaging with a new one.

## 4 Technical Data

### Version / Characteristics

- Oblique cutter / gravity slice
- Carriage: removable (except art. No. 174196), 2 handles
- Designed for: sausages
- Pusher
- Slice guide
- Sharpener
- Blade guard: double
- Magnetic switch
- Control: button
- ON/OFF switch
- Indicator light: ready for operation

### 4.1 Technical Specifications

<b>Name:</b>	<b>Slicing machine 195 Plus</b>
Art. No.:	<b>174196</b>
Material:	aluminium, plexiglas, plastic
Blade diameter, in mm:	195
Maximum rotational speed, in RPMs:	277
Slicing thickness range, in mm:	1 - 12
Slicing length, in mm:	185
Slicing height, in mm:	130
Degree of protection:	IPX3
Connected load:	0,11 kW   230 V   50 Hz
Dimensions (W x D x H), in mm:	335 x 440 x 340
Power cord length, in mm:	1,4
Weight, in kg:	11,2

<b>Name:</b>	<b>Slicing machine 220 Plus</b>
Art. No.:	<b>174221</b>
Material:	aluminium, plexiglas, plastic
Blade diameter, in mm:	220
Maximum rotational speed, in RPMs:	191
Slicing thickness range, in mm:	1 - 12
Slicing length, in mm:	205
Slicing height, in mm:	135
Degree of protection:	IPX3
Connected load:	0,13 kW   230 V   50 Hz
Dimensions (W x D x H), in mm:	410 x 475 x 360
Power cord length, in mm:	1,4
Weight, in kg:	14,0

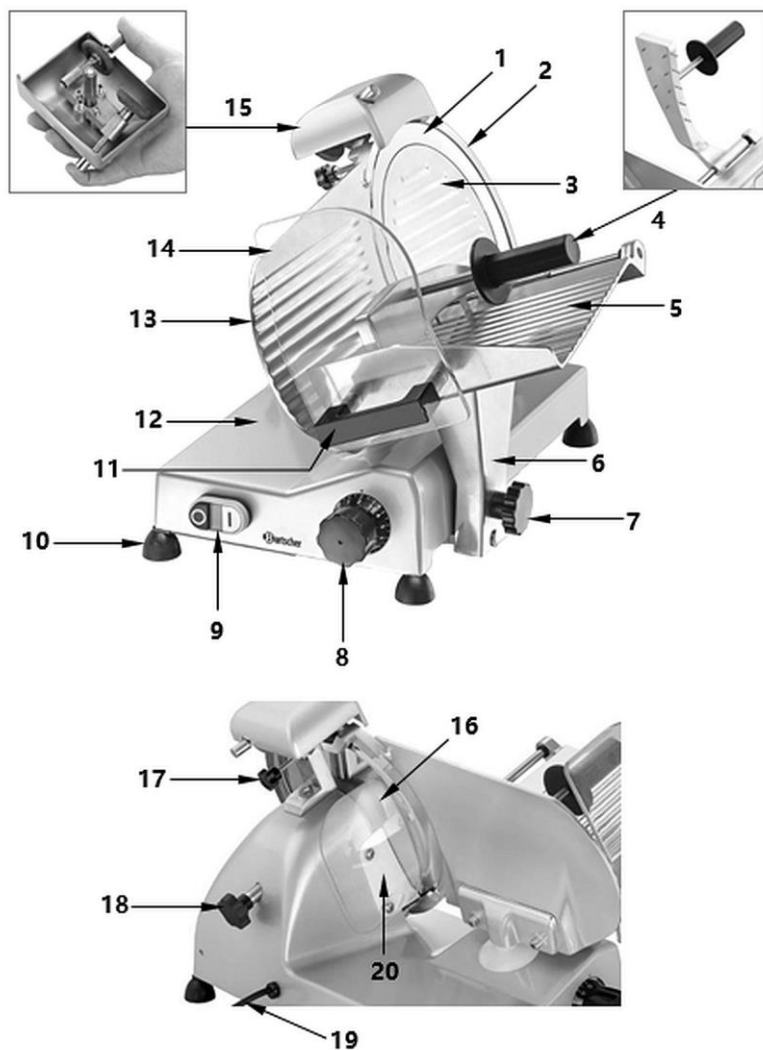
<b>Name:</b>	<b>Slicing machine 250 Plus</b>
Art. No.:	<b>174251</b>
Material:	aluminium, plexiglas, plastic
Blade diameter, in mm:	250
Maximum rotational speed, in RPMs:	190
Slicing thickness range, in mm:	1 - 12
Slicing length, in mm:	195
Slicing height, in mm:	140
Degree of protection:	IPX3
Connected load:	0,13 kW   230 V   50 Hz
Dimensions (W x D x H), in mm:	435 x 510 x 385
Power cord length, in mm:	1,4
Weight, in kg:	14,8

<b>Name:</b>	<b>Slicing machine 275 Plus</b>
Art. No.:	<b>174276</b>
Material:	aluminium, plexiglas, plastic
Blade diameter, in mm:	275
Maximum rotational speed, in RPMs:	190
Slicing thickness range, in mm:	1 - 12
Slicing length, in mm:	180
Slicing height, in mm:	150
Degree of protection:	IPX3
Connected load:	0,13 kW   230 V   50 Hz
Dimensions (W x D x H), in mm:	435 x 520 x 385
Power cord length, in mm:	1,4
Weight, in kg:	16,9

EN

<b>Name:</b>	<b>Slicing machine 300 Plus</b>
Art. No.:	<b>174301</b>
Material:	aluminium, plexiglas, plastic
Blade diameter, in mm:	300
Maximum rotational speed, in RPMs:	186
Slicing thickness range, in mm:	1 - 15
Slicing length, in mm:	230
Slicing height, in mm:	175
Degree of protection:	IPX3
Connected load:	0,2 kW   230 V   50 Hz
Dimensions (W x D x H), in mm:	480 x 630 x 461
Power cord length, in mm:	1,4
Weight, in kg:	20,8

## 4.2 List of Components of the Appliance



EN

Fig. 1

### Description for Fig. 1

- |  |                                    |
|--|------------------------------------|
| 1. Blade   | 2. Blade protective ring           |
| 3. Blade guard   | 4. Pusher handle with pusher       |
| 5. Food tray   | 6. Carriage                        |
| 7. Carriage lock knob (except for model No. 195 Plus, art. No. 174196) | 8. Slice thickness adjustment knob |
| 9. ON/OFF switch with indicator light                                  | 10. Feet (4 pcs)                   |
| 11. Handle with hand protection  | 12. Slice tray                     |
| 13. Movable slice thickness partition                                  | 14. Pusher handle guard            |
| 15. Sharpener  | 16. Slice guide                    |
| 17. Sharpener retaining screw  | 18. Blade guard retaining screw    |
| 19. Power cord   | 20. Blade protection device        |

### Accessories (included in the scope of delivery!)



#### Basic blade

Material: high-alloy steel

Application: sausages

Compatible model:	195 Plus	220 Plus	250 Plus	275 Plus	300 Plus
Diameter (mm):	195	220	250	275	300
Dimensions (mm):	W 195	W 220	W 250	W 275	W 300
	D 195	D 220	D 250	D 275	D 300
	H 15	H 16	H 18.2	H 22	H 21
Weight (kg):	0,69	0,79	0,98	1,5	1,6
Art. No.:	<b>174060</b>	<b>174061</b>	<b>174062</b>	<b>174063</b>	<b>174064</b>

## Technical Data

### Accessories (not included in the delivery!)



#### Blade with corrugated cutting edge

Material: steel, hard chrome-plated

Compatible model:	195 Plus	220 Plus	250 Plus	275 Plus	300 Plus
Diameter (mm):	195	220	250	275	300
Dimensions (mm):	W 195	W 220	W 250	W 275	W 300
	D 195	D 220	D 250	D 275	D 300
	H 13	H 15	H 18	H 22	H 23
Weight (kg):	0,64	0,67	1,17	1,47	2,13
Art. No.:	<b>174050</b>	<b>174052</b>	<b>174054</b>	<b>174056</b>	<b>174058</b>



#### Blade, non-stick coating

Material: stainless steel, Teflon-coated

EN

Compatible model:	195 Plus	220 Plus	250 Plus	275 Plus	300 Plus
Diameter (mm):	195	220	250	275	300
Dimensions (mm):	W 195	W 220	W 250	W 275	W 300
	D 195	D 220	D 250	D 275	D 300
	H 13	H 15	H 18	H 22	H 23
Weight (kg):	0,64	0,67	1,17	1,47	2,13
Art. No.:	<b>174051</b>	<b>174053</b>	<b>174055</b>	<b>174057</b>	<b>174059</b>

## 4.3 Functions of the Appliance

With this slicing machine you can quickly cut sausages into slices of various thicknesses.

## 4.4 Protective Elements of the Appliance

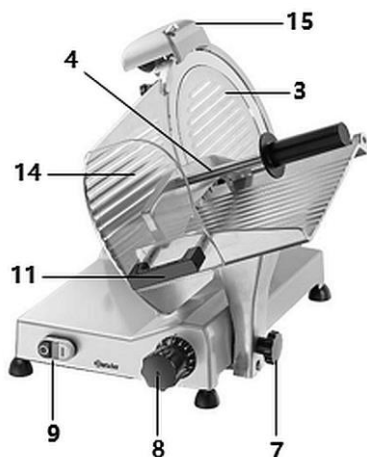


Fig. 2

- 3 Blade guard
- 4 Pusher handle with pusher
- 9 ON/OFF switch

(after a power failure, the appliance can only be switched on again by pressing the white START button in the appliance ON/OFF switch)

- 14 Pusher handle with grip and hand protection (11)  
Carriage locking device (Fig. 3).

(Models 174221, 175251, 174276, 174301; model 174196 — non-removable carriage)

The carriage can only be removed for cleaning when the slice thickness adjustment knob is undone beyond the zero setting and the carriage is pulled towards the slice thickness adjustment knob:

- In doing so, the carriage lock knob must be loosened. If it cannot be completely loosened, pull the carriage again in the direction of the carriage lock knob until the safety device audibly engages.
- Fully loosen the carriage lock knob and remove the carriage from the appliance by pulling it upwards.



Fig. 3





Fig. 4

- 15** Sharpener serving as the upper blade guard

There is a magnetic connector (a) on the sharpening tool: the appliance operates only when the sharpener is properly positioned.

When the sharpener is removed during operation the appliance stops. Once the sharpener is properly repositioned the appliance does not start automatically but it needs to be switched on again with the white START button in the ON/OFF switch (B, Fig. 7).

### Residual Risks

Despite all mechanical and electrical protective means the appliance is equipped with according to the regulations (both in the operational phase and during cleaning and maintenance), residual risks exist that cannot be completely precluded. In this instruction manual they are indicated by the warning word **WARNING**. Observe also warning indications on warning stickers placed on the appliance.

Residual risks (e.g., danger of injury) may be present also when slicing smaller pieces or pushing residues. To this end, the appliance is equipped with the pusher handle with pusher.

After disassembly of the appliance for cleaning, pay particular attention to the blade, as with the sharpener removed, part of the blade is exposed.

## 5 Installation and operation

### 5.1 Installation

#### Unpacking / Positioning

- Unpack the appliance, remove all external and internal packaging elements and shipment safeguards.



#### CAUTION!

##### Choking hazard!

Prevent children from accessing package materials, for instance: plastic bags and EPS.

- If the appliance is covered with a protective film, remove it. Remove the film slowly, so no glue residues are left. Remove any glue residues with the use of a suitable solvent.
- Be careful not to damage the rating plate and warning labels fixed on the appliance.
- **Never** place the appliance in humid or wet environment.
- Place the appliance in a way making the connections easily accessible, so that they may be quickly disconnected if such a need arises.
- The appliance should be placed on surfaces that are:
  - even, with sufficient bearing capacity, resistant to water, dry and resistant to high temperatures;
  - sufficiently large, and thus enabling usage of the appliance with no problems;
  - easily accessible;
  - well ventilated.
- Maintain sufficient clearance from table edges. The appliance might turn over and fall down.
- When selecting the place to set the appliance in, consider the dimensions of the appliance (section 'Technical Specification'). Provide enough space to securely operate the appliance.
- Operation location must be well lit.
- Put the slicing machine in such a way that the person operating it could stand straight and stable in front of the appliance. The operator has to be able to constantly see the ON/OFF switch and the slice thickness adjustment knob.

## Installation and operation

To securely use the slicing machine, keep at least 20 cm clearance from the slicing machine and walls, objects, cupboards, etc.

- The clearance from the floor should be approx. 80 cm.
- Place the appliance in a room, in which temperature ranges from +5°C do +32 °C, and the maximum moisture level should be 70%.

### Power supply connection

- Verify if technical data of the appliance (see rating plate) correspond with the local electric power grid specification.
- Connect the appliance to a single, properly grounded mains socket with protective contact. Do not connect the appliance to a multi-socket.
- The power cord should be laid in a way preventing anyone from threading on it or tripping against it.

## 5.2 Operation

### Before First Use

1. Thoroughly clean the appliance and equipment before first use observing instructions in section 6 '**Cleaning and Maintenance**'.

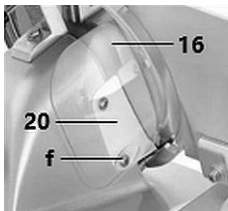


Fig. 5

2. Fit the enclosed slice guide (16).
3. To this end, loosen the lower screw (f) of the previously installed blade protection device (20) on the rear of the appliance with a suitable screwdriver.
4. Attach the slice guide (16) to the blade protection device (20) using the loosened screw (f).

Check before starting the appliance:

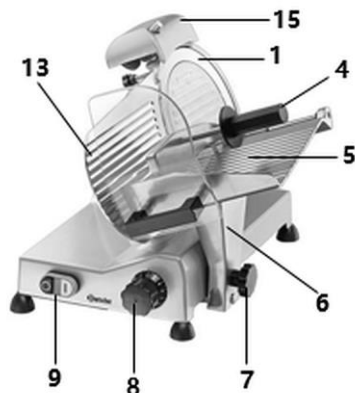


Fig. 6

- whether the appliance is connected to a grounded single socket.
- whether the carriage (6) is firmly connected to the carriage lock knob (7).
- the movement of the carriage (6) and that no obstacle is blocking and no object is on the carriage tray (5).
- lifting and lowering of the pusher handle (4) without any obstacles during its movement.
- hole of the cut thickness movable partition (13) with the slice thickness adjustment knob (8), rotating it clockwise and counter-clockwise.
- whether the sharpener (15) is correctly mounted and that there is the possibility of removing it without any problems.

EN

### ON/OFF Switch

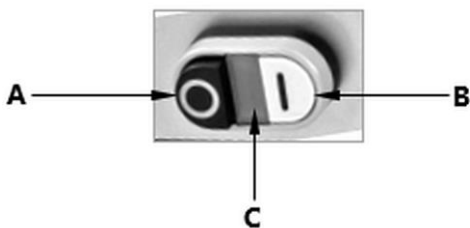


Fig. 7

### Appliance Operation (Fig. 6, 7)

1. Plug the appliance into a suitable single socket.
2. To switch the appliance on, press the white START button (B) in the appliance ON/OFF switch (9).

The indicator lamp (C) lights up and remains lit during operation.

3. Leave the appliance on for 2–3 minutes in order to make sure it operates correctly (without slicing products).
4. Switch the appliance off with the black STOP button (A) in the appliance ON/OFF switch (9).
5. Set the slice thickness adjustment knob (8) in '0' position.
6. Lift the pusher handle (4) and place the cut goods on the carriage tray (5) so that they are between the movable slice thickness partition (13) and the pusher handle with the pusher (4).

#### WARNING!

**In order to avoid accidents, always use the pusher handle (4) to push the product to be sliced to the movable slice thickness partition (13)!**

7. Adjust slice thickness: rotate the slice thickness adjustment knob (8) counter-clockwise until it reaches the desired position.
8. Assume correct stance at the slicing machine (Fig. 8). Put right hand on the pusher handle, left next to the slice tray so as not to touch the blade; the body must be straight and vertical towards the worktop.



**Correct stance**



**Incorrect stance**

*Fig. 8*

#### WARNING!

**Risk of injury through contact with the blade!**

Never assume a stance with hands, fingers or other parts of the body that might come into contact with the blade!

9. Switch the appliance on with the white START button (B) in the appliance ON/OFF switch (9).

10. Move the carriage (6) slowly and steadily towards the blade (1) using the pusher handle (4).

11. The best slicing results are obtained when the pusher handle (4) is slightly pushed towards the movable slice thickness partition (13).

The product to be sliced encounters the blade (1), the sliced product is separated and falls onto the tray (12), which is located on the back of the movable slice thickness adjustment partition (13).

Do not remove the pusher handle with the pusher (4) unless the food product to be sliced is of unusual size or shape.

12. After cutting, the carriage (6) is to be put into initial position and the slice thickness adjustment knob (8) should be set to '0' position.

13. Switch the appliance off with the black STOP button (A) in the appliance ON/OFF switch (9). Do not allow the appliance to run idle.

14. The sliced good can be now removed from the slice tray.

### **WARNING!**

#### **Cut wounds hazard!**

Never operate the appliance with wet or moist hands.

Never put hands between the blade (1) and the pusher handle (4) or the movable slice thickness partition (13) until they are fully closed (slice thickness adjustment knob (7) set to '0' position).

During operation keep hands away from the blade in order to avoid cuts and accidents. Use the handle of the pusher (4).

### **WARNING!**

**Never use the appliance for more than 15 minutes in order to avoid motor overheating. After a short break the appliance may be switched on again.**

## Installation and operation

### Blade Sharpening

If the surface of a sliced product becomes frayed or coarse and the cutting operations become cumbersome, the blade must be sharpened.

1. Pull the plug out from the socket and clean the blade edges before sharpening using alcohol in order to degrease them.

2. Loosen the fixing screw (a) of the sharpener (15) on the back side of the appliance (Fig. 9).

3. Remove the sharpener (15) and rotate it by 180°.

4. Put the sharpener (15) into the special guide rail and tighten the fixing screw (a).

5. Make sure the surface of the sharpener is close to the edge of the blade. Otherwise correct it.

6. Connect the appliance to a grounded single socket and switch it on with the white START button (B).

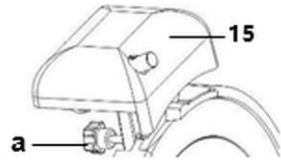


Fig. 9

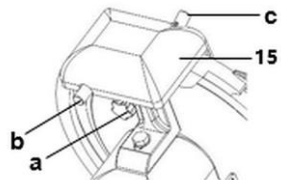


Fig. 10

7. Hold the depressed button (b, Fig. 10) of the sharpener on the back of the sharpener (1) and leave the appliance switched on for approx. 60 seconds, until the blade is burred.
8. Then hold the (c) button in the front and the (b) button at the back of the sharpener simultaneously for approx. 3–4 seconds to sharpen the blade and remove the burr. Release both buttons simultaneously.

#### **ATTENTION!**

**Do not exceed the above mentioned sharpening time of 3–4 seconds so as not to cause the so-called 'zero grind'.**

9. Switch the appliance off with the black STOP button (A) in the appliance ON/OFF switch (9).

10. Check if the blade is sharp enough.
11. Continue until the desired sharpening level is reached.

**WARNING! Cut wounds hazard!**

**The blade is very sharp!**

Be very careful when checking the sharpness of the blade!

During operation wear class 5 cut resistant protective gloves of DIN EN 388 standard!

12. After sharpening clean the blade and sharpener elements. In order to ensure it will operate correctly, keep the sharpener in a good condition. Observe instructions in sections 6 '**Cleaning and Maintenance**'.
13. Set the sharpener back to its initial position. Follow the assembly instruction in reverse order.

**ATTENTION!**

**In order to keep the blade in the optimum condition and maintain safety, it should be replaced when its height is reduced by approx. 5–7 mm.**

## 6 Cleaning and Maintenance

### 6.1 Safety Instructions for Cleaning

- Before cleaning, disconnect the appliance from the power supply.
- Leave the appliance to cool down completely.
- Make sure water does not enter the appliance. Do not immerse the appliance in water or other liquids during cleaning. Do not clean the appliance with a pressurized water jet.
- Do not use any sharp or pointed, nor metal implements (knife, fork, etc.). Sharp or pointed implements may damage the appliance, and when in contact with live parts, they may cause electric shock.
- For cleaning, do not use any scouring agents that contain solvents nor corrosive cleaning agents. They may damage the surface.



### 6.2 Cleaning



#### CAUTION!

**During maintenance works and cleaning (when the protective elements are removed) check for any possible hazards.**

Unplug the appliance from a socket.

Ensure that the slice thickness adjustment knob is in '0' position.

Move the carriage towards the slice thickness adjustment knob.

#### ATTENTION!

**Never wash removable elements in a dish-washer.**

1. At the end of each working day, and more frequently if needed, thoroughly clean all parts of the appliance that come into contact with food products.
2. Carry out the cleaning of the individual groups observing the instructions below.

#### Carriage and Pusher Handle

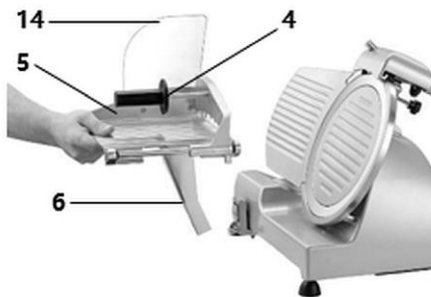


Fig. 11

1. To clean, remove the carriage (6) from the appliance.

#### NOTE!

**The carriage can only be removed when the slice thickness adjustment knob is undone beyond the zero setting and the carriage is pulled towards the slice thickness adjustment knob.**

2. In doing so, the carriage lock knob must be loosened. If it cannot be completely loosened, pull the carriage again in the direction of the carriage lock knob until the safety device audibly engages.

3. Fully loosen the carriage lock knob and remove the carriage from the appliance by pulling it upwards.

### ATTENTION!

**The 195 Plus model / art. No. 174196 does not have a carriage lock knob. The carriage of the appliance is not removable.**

4. Clean the carriage (6) with guard (14), carriage tray (5) and pusher handle with pusher (4) in warm water with a soft cloth and neutral cleaning agent.
5. Rinse with fresh water to remove remains of the cleaning agent.
6. Allow cleaned components to air dry or dry thoroughly before reassembling them in the appliance.

### Blade and Blade Cover

#### WARNING! Cut wounds hazard!

#### The blade is very sharp!

Never touch the blade edge with bare hands.

During cleaning of the blade wear class 5 cut resistant protective gloves of DIN EN 388 standard!

1. Remove the sharpener from the appliance (Fig. 9).
2. In order to remove the blade guard (3) for cleaning loosen the fixing screw (d) at the back of the appliance (Fig. 12) and push it towards the blade guard (3).
3. Remove the blade guard (3) from the appliance.



Fig. 12

4. To remove the blade (1) undo 3 locking screws (e) using a suitable screwdriver (Fig. 13).
5. Carefully detach the blade (1).
6. Clean the blade guard (3) and blade (1) in warm water and a neutral cleaning agent. Use a sponge, suitable cleaning brush or soft cloth. Rinse in fresh water.

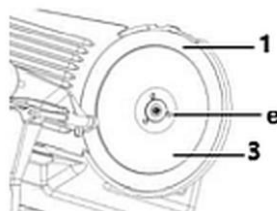


Fig. 13

## Cleaning and Maintenance

7. Clean the blade protection ring (2) in warm water and a neutral cleaning agent. Rinse in fresh water. Leave the cleaned parts for drying or wipe them with a dry cloth.
8. After cleaning install the blade (1) with the use of three adjustment screws (e) — maintaining correct stance — and the blade guard (3) with the use of the screw (d).

### Blade Protection Device and Slice Guide (Fig. 14)

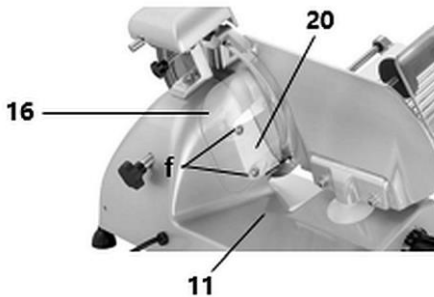


Fig. 14

1. Loosen the lower screw (f) of the protection device (20) at the rear side of the appliance. Remove the slice guide (16).
2. Loosen the upper screw (f) and remove the protection device (20) for cleaning.
3. Clean removed parts in warm water with a neutral cleaning agent.
4. Rinse in fresh water.
5. Thoroughly dry all cleaned elements.

### Slice Tray and Housing (Fig. 14)

1. Clean the slice tray (11) and housing with the use of a moist, soft cloth and neutral cleaning agent.
2. Wipe it with a clean, soft cloth.
3. Dry completely after cleaning.
4. Then reattach the protection device (20) and then the slice guide (16) to the appliance with the use of screws.

### Sharpener (Fig. 15)

1. Remove the complete sharpener assembly from appliance (fig. 9).
2. After sharpening, clean the sharpener elements (g) with a cleaning brush soaked in alcohol.



Fig. 15

EN

## 6.3 Maintenance

### Regular Lubrication / Greasing

1. Lubricate the carriage regularly with a food-grade machine grease.
2. To do this, lay the slicing machine on its side.
3. Apply some machine oil to both ends of the carriage axle (i) (Fig. 16).
4. Move the carriage forward and backward in order to distribute the grease evenly.
5. Remove the excess grease with a cloth.



Fig. 16

## 7 Possible Malfunctions

The table below contains descriptions of possible causes and solutions to malfunctions or errors during operation of the appliance. When malfunction cannot be removed, contact the technical service.

In such a case, provide article number, model name and serial number. These data may be found in the rating plate.

Problem	Possible cause	Solution
Appliance does not work	No power	Check the electric power supply
	Damaged electrical installation	Contact the supplier
	Damaged switch	Contact the supplier
	Damaged motor	Contact the supplier
The blade does not cut or the slices are fuzzy and/or irregular	Blade is not sharpened	Sharpen the blade (section <b>'Blade Sharpening'</b> )
	Blade excessively worn	Replace the blade
The blade sharpening is not satisfactory	Position is not correct	Fit the sharpener correctly (section 5.2 <b>'Operation'</b> )
	Sharpening stones are soiled	Clean the sharpening stones
The carriage runs with difficulties	Carriage axle not greased enough	Grease the carriage axles (section <b>6.3 'Maintenance'</b> )
The motor does not work	Sharpener is not attached properly in the holder	Check the sharpener attachment

## 8 Disposal

### Electrical Appliance



Electric appliances are marked with this symbol. Electrical appliances must be disposed of and recycled in a correct and environmentally friendly manner. You must not dispose of electric appliances with household waste. Disconnect the appliance from the power supply and remove power cord from the appliance.

Electrical appliances should be returned to designated collection points.